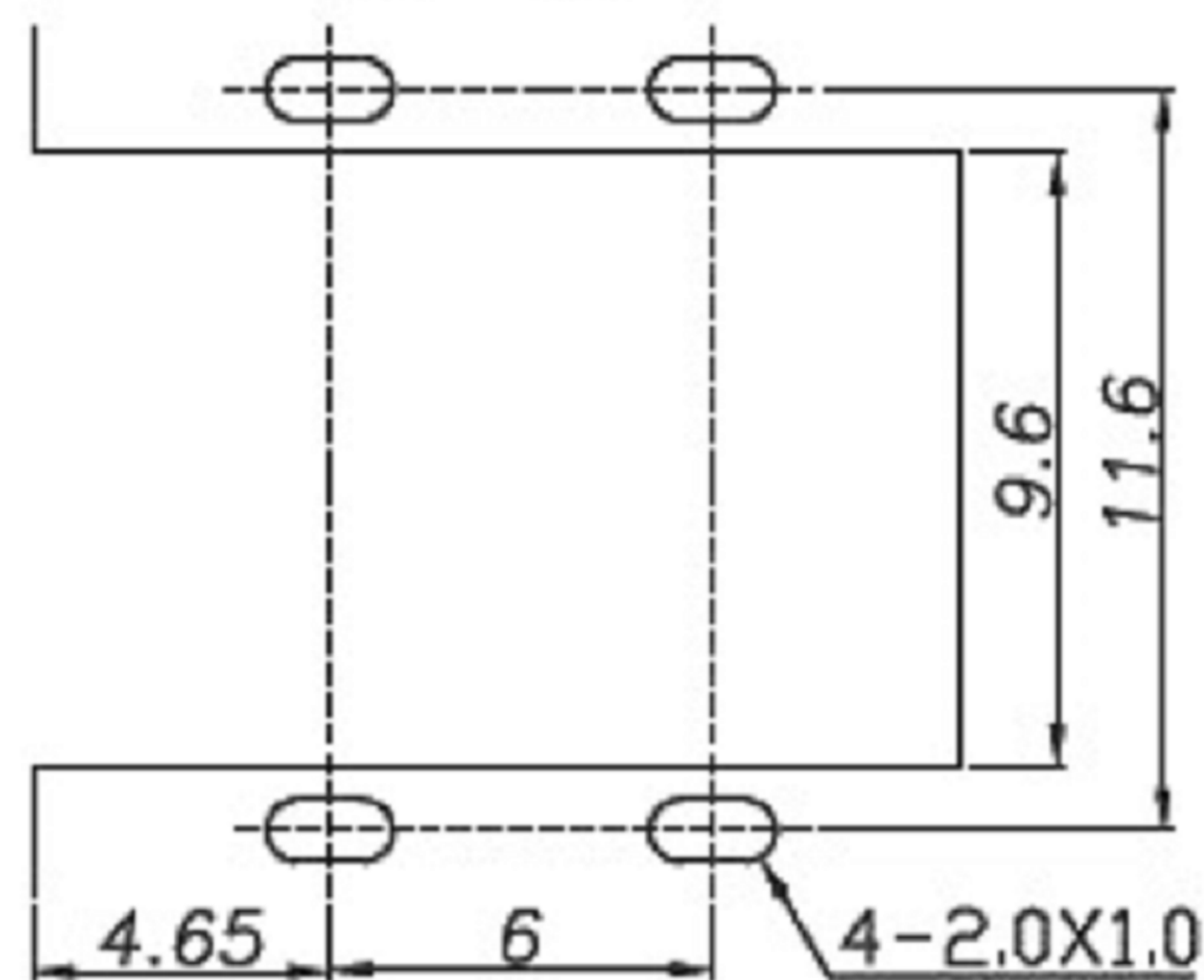


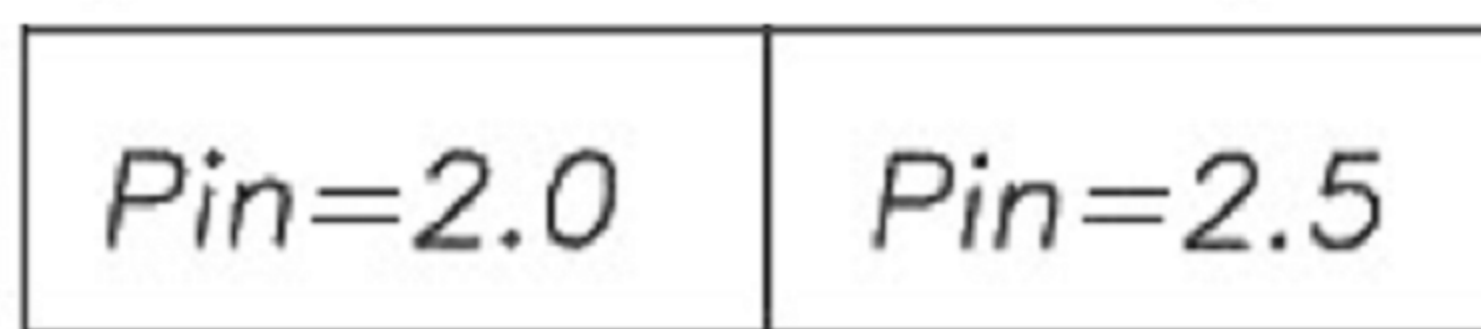
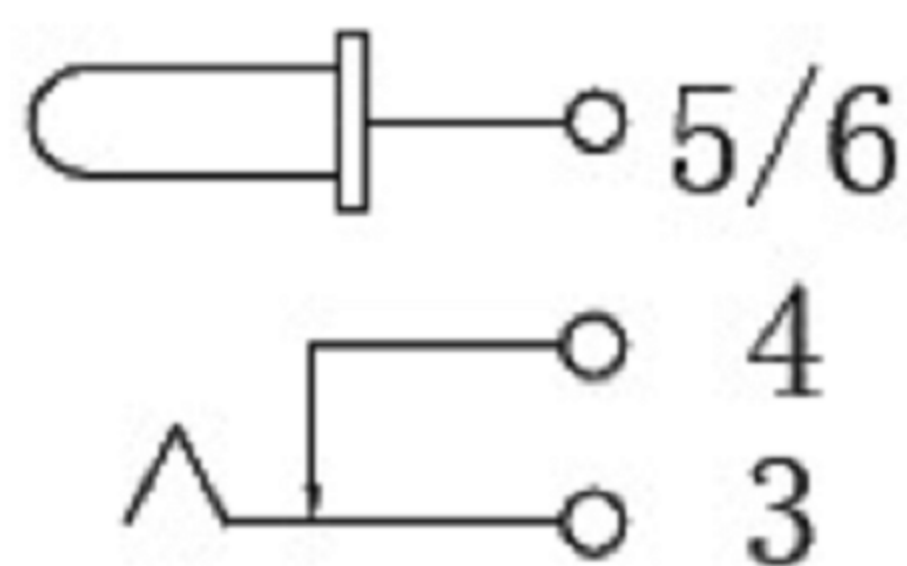
DC MATE PLUG

P.C.B LAYOUT TOP VIEW



P.C.B LAYOUT BOTTOM VIEW

SCHEMATIC



SPECIFICATION

- 1.Rating : DC 3A 5A 12V 24V
- 2.Contact resistance : $\leq 30m\Omega$;
- 3.Insulation resistance : $\geq 100M\Omega$;
- 4.Withstand voltage : 500VAC ;
- 5.Insertion force : 3-30N;
extraction force : 3-30N;
- 6.life test : 5,000 cycles °



东莞市高迪电子有限公司
Dong Guan KDRR Electronic Switch Jack Co., Ltd.

TOLERANCE UNLESS OTHERWISE STATED :
Up to 5 ±0.2
Above 5 ~ 15 ±0.3
Above 15 ~ 30 ±0.4
Above 30 ~ 50 ±0.5
Angle ±0.3°

3RD. ANGEL'S

UNITS MM

DRAWN BY:	DATE	MAT'L	TITLE	JACK
Ming Ming Zou	6/8/23			
CHECKED BY:	DATE	FINISH	MODLE	DC JACK
Ning Ning Su	6/8/23			
APPROVED BY:	DATE	SCALE	DWG NO.	GD-DC-0050-CB-SMT
Jia Xiang	6/8/23	1:1	PART NO.	
SHEET NO.			1 of 1	

4	更新材質	Jack	050420
3	更新尺寸	Jack	121119
2	更新尺寸標示位置	Jack	082719
1	更新尺寸	Jack	080519
ITEM NO.	DESCRIPTION	DRAWN	DATE

SIZE A4
VER R4